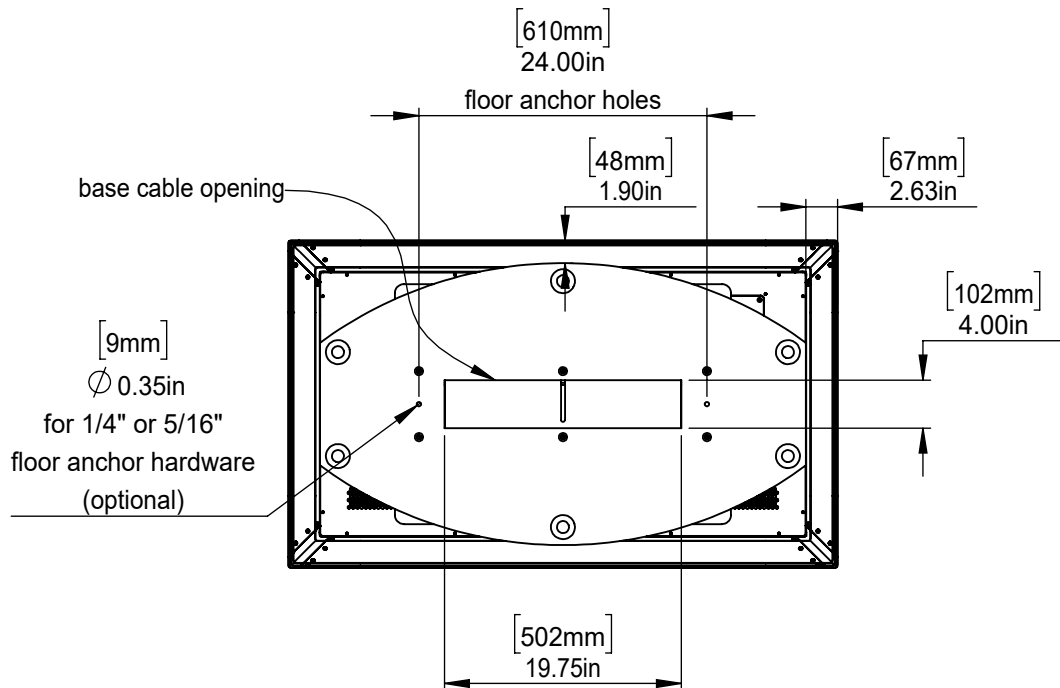
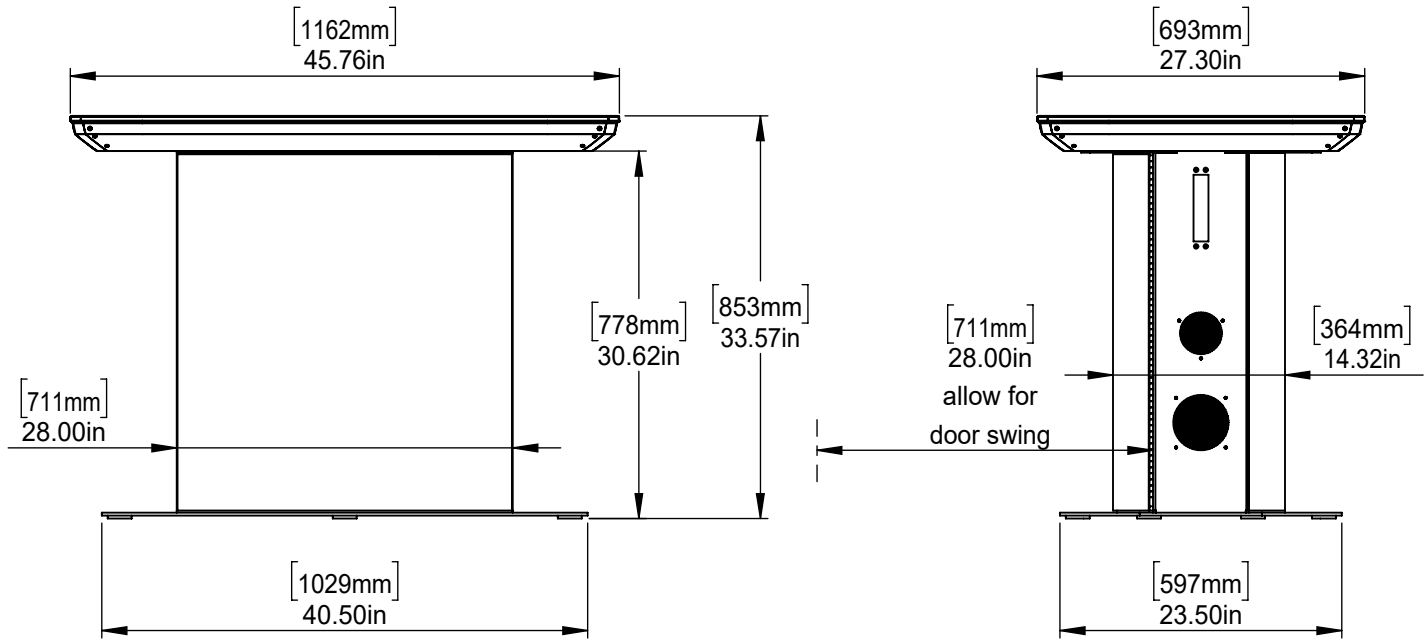


# Pro - 49



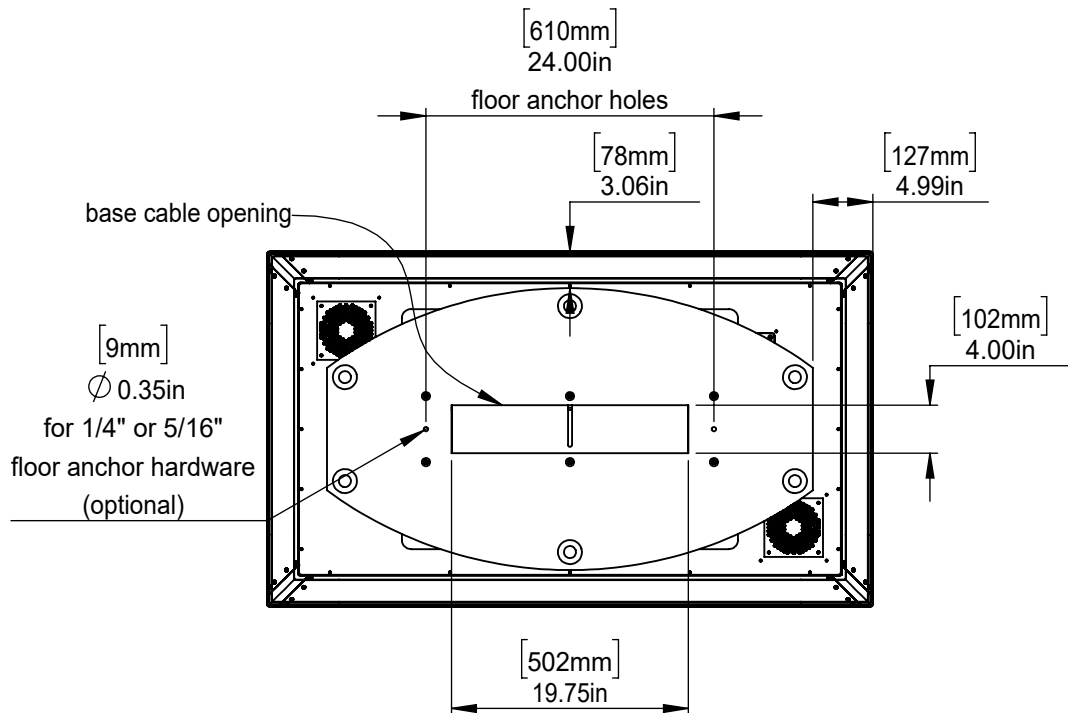
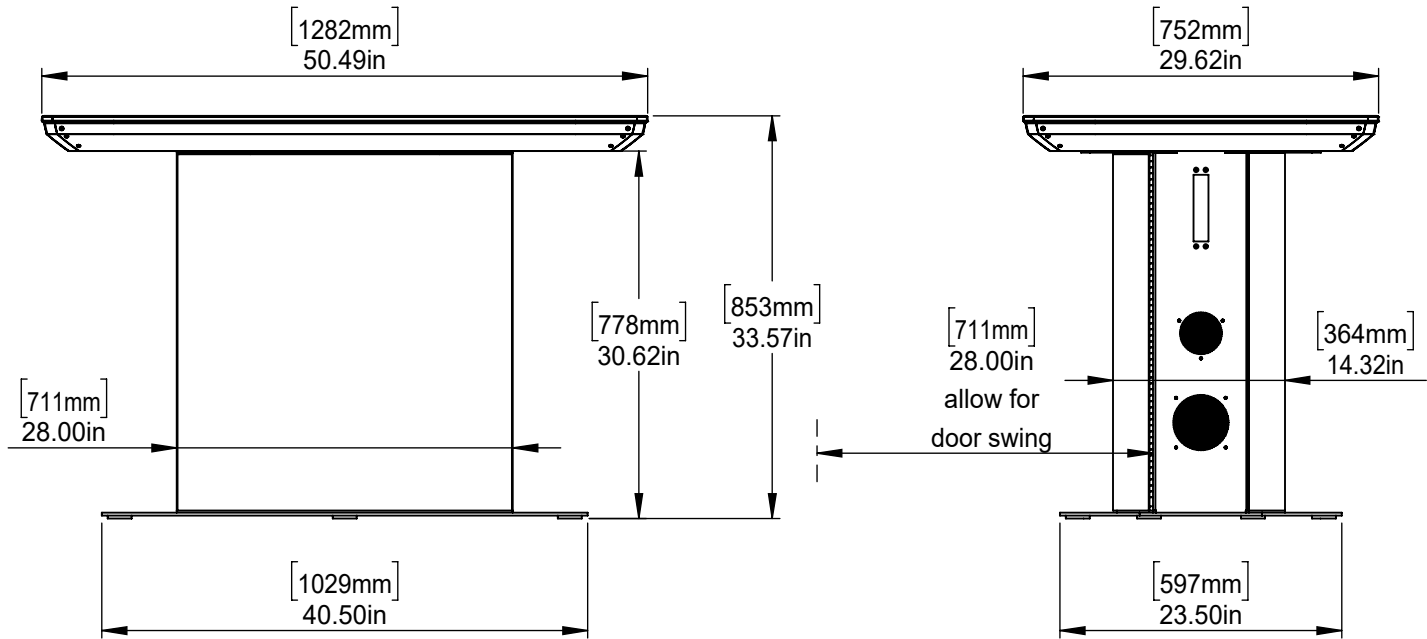
Property of Ideum

Ideum

This document contains proprietary and patented information about Ideum products. This document can be shared or posted outside of (ideum.com) without written authorization from Ideum. (US patent 10,225,509)

Corrales, NM USA  
www.ideum.com  
info@ideum.com  
505-792-1110 ext 1.

# Pro - 55



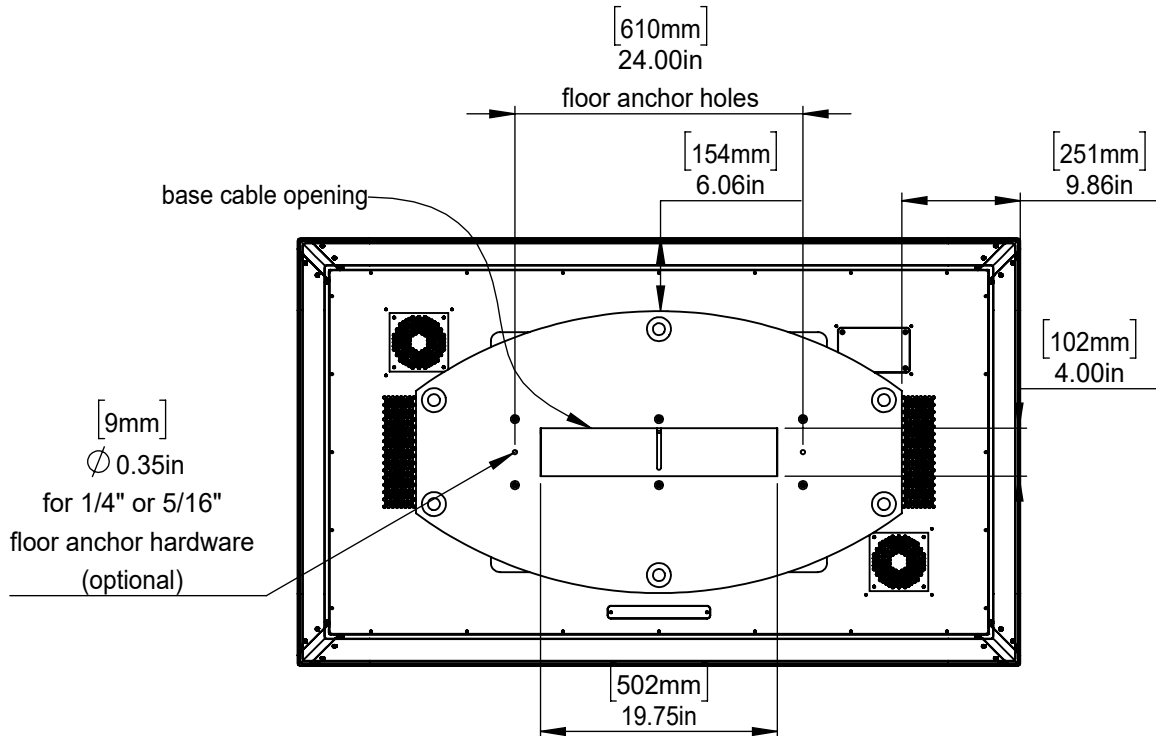
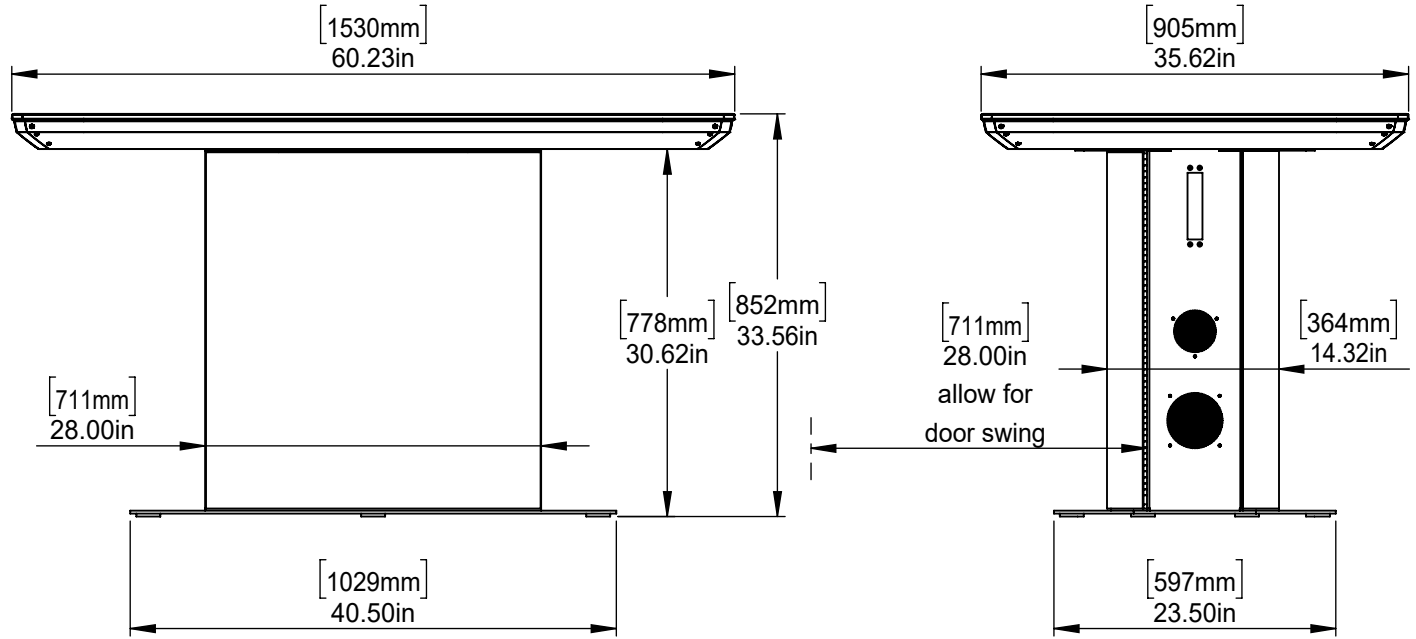
Property of Ideum

Ideum

This document contains proprietary and patented information about Ideum products. This document can be shared or posted outside of (ideum.com) without written authorization from Ideum.  
(US patent 10,225,509)

Corrales, NM USA  
www.ideum.com  
info@ideum.com  
505-792-1110 ext 1.

# Pro - 65



Property of Ideum

Ideum

This document contains proprietary and patented information about Ideum products. This document can be shared or posted outside of (ideum.com) without written authorization from Ideum.  
(US patent 10,225,509)

Corrales, NM USA  
www.ideum.com  
info@ideum.com  
505-792-1110 ext 1.