



# Colossus 86”

## Specifications Sheet



The Colossus is built with an aluminum chassis and frame covered with a durable powder coat. Ideum displays use a patented manufacturing method. Designed and built in the USA, it ships as a complete, turnkey system with lockable, push-button operation. It doesn't require a technician or any special installation setup—just plug it in and turn it on. All of Ideum's hardware is backed by our three-year warranty. This remarkable touch table is in some of the world's busiest museums, including the Smithsonian National Air and Space Museum, the Smithsonian National Museum of the American Indian, and the Smithsonian Cooper Hewitt Design Museum.



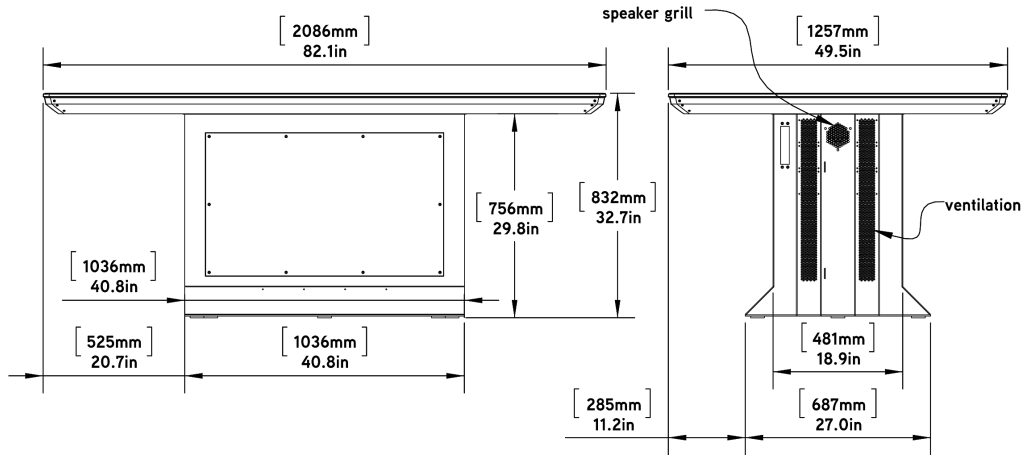
# COLOSSUS ■ Specifications Sheet



The Colossus is an 86" 4K Ultra HD multitouch table large enough for engaging group interaction. It features projected capacitive touch technology with support for 40 touch points and an LG 4K Ultra HD commercial monitor rated 24/7. The Colossus has a powerful integrated Intel™ 10th Gen Core processor, the latest NVIDIA™ discrete graphics card, and locking push-button operation.



86"	WEIGHT <b>450 LBS / 204 KG*</b>	SHIP WEIGHT <b>850 LBS / 386 KG*</b>
	<i>*Weights may vary slightly.</i>	



## Interactive Display

- 86" LG 4K UHD commercial display
- 3840x2160 60Hz screen
- Projected-capacitive touch
- <16ms touch response time
- 40 simultaneous touch points
- 6mm ultra-clear tempered glass
- Native contrast ratio 1200:1
- 500 nit (cd/m<sup>2</sup>) luminance
- LG Commercial Display rated 24/7

## Integrated System

- |   |  |   |
|---|--|---|
| <ul style="list-style-type: none"> <li>▪ Single push-button power</li> <li>▪ Custom lockable enclosure</li> <li>▪ Windows 10</li> <li>▪ Universal 110-240V power system</li> <li>▪ Stereo amplifier with two 90W Yamaha speakers</li> </ul> | <p><b>STANDARD</b></p> <ul style="list-style-type: none"> <li>▪ Intel 10th Gen Core i7-10700 processor</li> <li>▪ RTX 3070 8GB GDDR6 NVIDIA graphics card</li> <li>▪ Dual 250GB NVMe M.2 SSD</li> <li>▪ 32GB 2666MHz DDR4 RAM</li> </ul> | <p><b>ULTIMATE</b></p> <ul style="list-style-type: none"> <li>▪ Intel 10th Gen Core i9-10900XE 3GHz 18-Core processor</li> <li>▪ RTX 3090 24GB GDDR6X NVIDIA graphics card</li> <li>▪ Dual 2TB NVMe M.2 SSD</li> <li>▪ 256GB DDR4 RAM</li> <li>▪ Custom liquid cooled system</li> </ul> |
|---|--|---|

## Connectivity

- TPM/TPP compatible for secure environments
- WiFi 802.11 a/b/g/n/ac, Ethernet, Bluetooth 5.0, RFID
- Wireless keyboard with integrated trackpad
- Direct access via USB ports
- Audio output via 1/8" audio jack
- HDMI Output (PC)
- Communication hardware can be removed upon request for secure environments

# Customizations

## Colors and Finishes



Available in hundreds of RAL color and finish options. (1-2 weeks additional lead time.)

## Ultimate Computer Upgrade



- Intel 10th Gen Core i9-10900XE 3GHz 18-Core processor
- RTX 3090 24GB GDDR6X NVIDIA graphics card
- Dual 2TB NVMe M.2 SSD
- 256GB DDR4 RAM
- Custom liquid cooled system

# Software

Ideum uses innovative custom software to tell stories that evoke wonder and spark curiosity about the world around us. Our expertise in a broad range of programming environments allows our work to span the realms of informal and formal education, interactive technology, gaming, art, and entertainment.



## Tangible Authoring

**Ideum multitouch tables support the Tangible Engine 2.5 object recognition SDK.**

Tangible Engine 2 is an authoring environment supporting the use of fiducial object recognition on Ideum multitouch tables. This software allows for the unique recognition of objects with 3D printed conductive patterns. Tangible Engine 2 includes test objects, a Visualizer / Configurator Tool, an SDK, and documentation.

Pricing and more information can be found at: [tangibleengine.com](http://tangibleengine.com)



## Multitouch Authoring

**Ideum multitouch products include a free, lifetime license for GestureWorks 2 (upon request).**

GestureWorks 2 is a multitouch authoring solution that works with C++ and Unity3D. It has nine basic built-in gestures and supports hundreds more using the extensible Gesture Markup Language. Licenses include ticketed, timely support\* and free upgrades for life.

More information can be found at: [gestureworks.com](http://gestureworks.com)



## RFID Utility

**Ideum multitouch products include an RFID utility for enhanced functionality.**

Our new and improved RFID software allows you to automate system tasks, launch and switch applications, and more with a single movement. This useful utility is free for Ideum touch table owners.

Learn more at: [ideum.com/news/rfid-reader-app](http://ideum.com/news/rfid-reader-app)

*\*Support hours provide dedicated time to troubleshoot any issues that may pertain to our software. Four hours of support are included free. Support hours are valid for the first year of purchase only. Annual support packages can be purchased as needed at an additional price. However, the Pro and Site Licenses are lifetime licenses. Please see our License Agreement for full details: <http://gestureworks.com/legal>*

# About Ideum

Ideum is a creative company based in Corrales, New Mexico, USA. We offer exhibit design, AV, and software development services to museums, nonprofits, and socially responsible companies. Please contact us at (505) 792-1110 ext.1 or toll-free in the US and Canada at (855) 898-6824, use our online [inquiry form](#), or email us at [sales@ideum.com](mailto:sales@ideum.com). We sell our multitouch tables and displays directly both in the United States and internationally.

## WARRANTY & SUPPORT

Our products are custom-built with only the highest quality components available and are designed to last. We back all of our hardware with a three-year warranty. The same people who design and build our systems provide our timely support.

Ticketing: [support.ideum.com](https://support.ideum.com)

Email: [support@ideum.com](mailto:support@ideum.com)

Phone: (505) 792-1110 ext. 2

Support Hours: 8:00 AM – 5:00 PM MST,  
Monday through Friday.

The Colossus, Pano, Pro, Platform, Drafting, Pico, Duet, and Inline touch tables and the Portrait and Presenter touch walls from Ideum are designed, manufactured, and made in the USA of U.S. and imported parts.



Compliant with height and reach requirements for the Americans with Disabilities Act standards for accessibility. Learn more about Ideum's commitment to accessibility at [www.ideum.com/ada](https://www.ideum.com/ada)

*IMPORTANT NOTICE TO PURCHASER: Specifications are subject to change without notice. Ideum hardware and software are warrantied from the ship date to the period stated in the warranty. Please note that under Ideum's warranty, Ideum has no obligation for any hardware product that is modified or damaged through misuse, accident, neglect, or subsequent integration, service, or tampering, by anyone other than Ideum or an Ideum-approved entity or individual. Ideum makes no additional warranties, express or implied, including but not limited to any fitness for a particular purpose. The User is responsible for determining whether Ideum hardware products or software are fit for the User's particular purpose. If the hardware product or software are proven not to have met Ideum's warranty, then Ideum's sole obligation and User's and Purchaser's exclusive remedy, will be, at Ideum's option, to repair or replace the product or refund its purchase price. Ideum shall not be liable in any action against it in any way related to the hardware products or software for any loss or damages, whether non-specified, direct, indirect, special, incidental or consequential (including downtime, loss of profits or goodwill) regardless of the legal theory asserted. Please see our full warranty for complete details.*