



Pico 43", 49", 55" Specifications Sheet

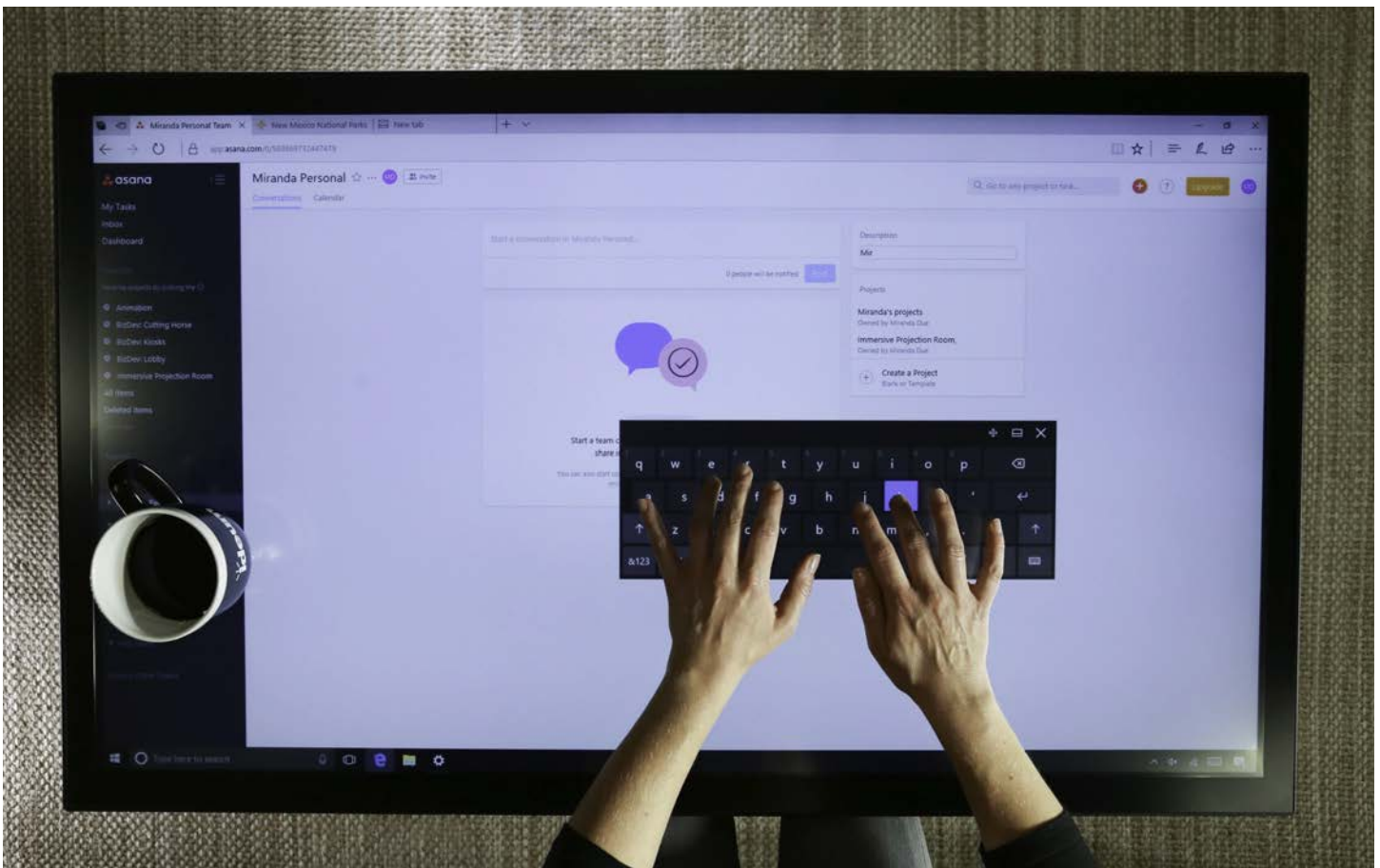


The Pico is a fully integrated multitouch coffee table with a 4K Ultra HD LG commercial display rated 24/7 and industry-leading touch technology from 3M™ with support for 80 simultaneous touch points. (The 43" uses a Displax touch sensor with support for 40 touch points.)

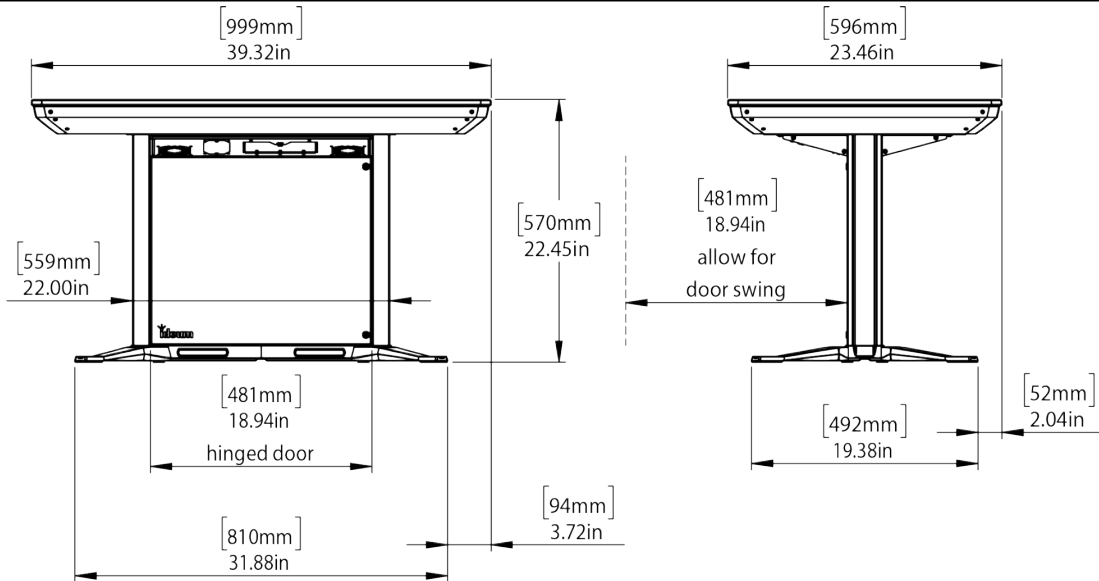
The Pico has a full-featured and powerful integrated 10th Gen Intel® Core™ processor, the latest NVIDIA™ discrete graphics card, and single push-button power. The Pico can also be purchased with an AOPEN Commercial Chromebox 2 rated for 24/7 use.



Crafted from aircraft-grade aluminum with a durable powder coat finish, the Pico is quality-built in the USA using a patented manufacturing method. The unit ships as a complete turnkey system with lockable ports and push-button operation. It doesn't require a technician or any special installation setup—just plug it in and turn it on. As with all Ideum hardware, the Pico is backed by a three-year manufacturer's warranty.



<h1>43"</h1>	WEIGHT 113 LBS / 51 KG*	SHIP WEIGHT 213 LBS / 97 KG*	W/ TRAVEL CASE 283 LBS / 128 KG*
	<i>*Weights may vary slightly.</i>		



Interactive Display

- Display projected capacitive touch sensor
- 4K UHD (3840x2160) LCD display
- LG commercial display rated 24/7
- ±5 ms touch response time
- 40 touch points with palm rejection
- Two 10W integrated speakers
- 43" diagonal, strengthened, anti-stiction, 4mm glass surface
- Native contrast ratio 1000:1
- 350 nit (cd/m2) luminance

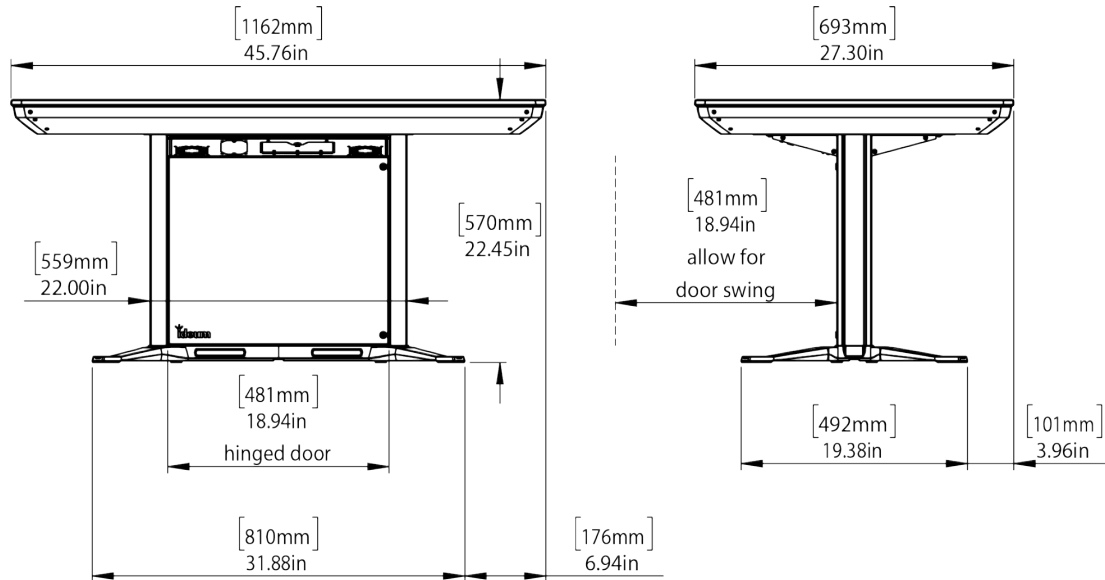
Integrated System

- | | | |
|--|---|--|
| <ul style="list-style-type: none"> ▪ Single push-button power ▪ Custom lockable enclosure ▪ Windows 10 ▪ Universal 110-240V power system | <p>STANDARD</p> <ul style="list-style-type: none"> ▪ Intel 10th Gen Core i5-10400 processor ▪ GTX 1660 6GB GDDR6 NVIDIA graphics card ▪ 250GB NVMe M.2 SSD ▪ 16GB 2666Mhz DDR4 RAM | <p>PERFORMANCE</p> <ul style="list-style-type: none"> ▪ Intel 10th Gen Core i7-10700 processor ▪ GTX 1660 Ti 6GB GDDR6 NVIDIA graphics card ▪ Dual 250GB NVMe M.2 SSD ▪ 32GB 2666Mhz DDR4 RAM |
|--|---|--|

Connectivity

- TPM/TPP compatible for secure environments
- WiFi 802.11 a/b/g/n/ac, Ethernet, Bluetooth 5.0, RFID
- Wireless keyboard with integrated trackpad
- Direct access via USB ports
- Audio output via 1/8" audio jack
- HDMI Output (PC)
- Communication hardware can be removed upon request for secure environments

49"	WEIGHT 130 LBS / 59 KG*	SHIP WEIGHT 230 LBS / 104 KG*	W/ TRAVEL CASE 300 LBS / 136 KG*
	<i>*Weights may vary slightly.</i>		



Interactive Display

- 3M™ projected capacitive touch sensor
- 4K UHD (3840x2160) LCD display
- LG commercial display rated 24/7
- ±5 ms touch response time
- 80 touch points with palm rejection
- Two 10W integrated speakers
- 49" diagonal, strengthened, anti-stiction, 4mm glass surface
- Native contrast ratio 1100:1
- 500 nit (cd/m2) luminance

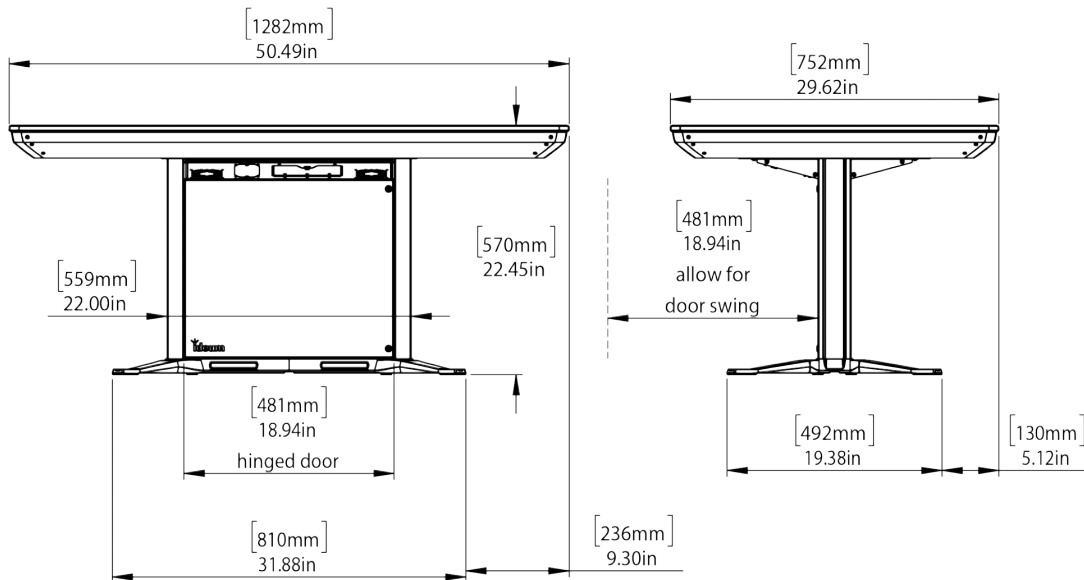
Integrated System

- | | | |
|--|---|--|
| <ul style="list-style-type: none"> ▪ Single push-button power ▪ Custom lockable enclosure ▪ Windows 10 ▪ Universal 110-240V power system | <p>STANDARD</p> <ul style="list-style-type: none"> ▪ Intel 10th Gen Core i5-10400 processor ▪ GTX 1660 6GB GDDR6 NVIDIA graphics card ▪ 250GB NVMe M.2 SSD ▪ 16GB 2666Mhz DDR4 RAM | <p>PERFORMANCE</p> <ul style="list-style-type: none"> ▪ Intel 10th Gen Core i7-10700 processor ▪ GTX 1660 Ti 6GB GDDR6 NVIDIA graphics card ▪ Dual 250GB NVMe M.2 SSD ▪ 32GB 2666Mhz DDR4 RAM |
|--|---|--|

Connectivity

- TPM/TPP compatible for secure environments
- WiFi 802.11 a/b/g/n/ac, Ethernet, Bluetooth 5.0, RFID
- Wireless keyboard with integrated trackpad
- Direct access via USB ports
- Audio output via 1/8" audio jack
- HDMI Output (PC)
- Communication hardware can be removed upon request for secure environments

55"	WEIGHT 180 LBS / 82 KG*	SHIP WEIGHT 352 LBS / 160 KG*	W/ TRAVEL CASE 410 LBS / 186 KG*
	<i>*Weights may vary slightly.</i>		



Interactive Display

- 3M™ projected capacitive touch sensor
- 4K UHD (3840x2160) LCD display
- LG commercial display rated 24/7
- ±5 ms touch response time
- 80 touch points with palm rejection
- Two 10W integrated speakers
- 55" diagonal, strengthened, anti-stiction, 4mm glass surface
- Native contrast ratio 1100:1
- 500 nit (cd/m2) luminance

Integrated System

- | | | |
|--|---|--|
| <ul style="list-style-type: none"> ▪ Single push-button power ▪ Custom lockable enclosure ▪ Windows 10 ▪ Universal 110-240V power system | <p>STANDARD</p> <ul style="list-style-type: none"> ▪ Intel 10th Gen Core i5-10400 processor ▪ GTX 1660 6GB GDDR6 NVIDIA graphics card ▪ 250GB NVMe M.2 SSD ▪ 16GB 2666Mhz DDR4 RAM | <p>PERFORMANCE</p> <ul style="list-style-type: none"> ▪ Intel 10th Gen Core i7-10700 processor ▪ GTX 1660 Ti 6GB GDDR6 NVIDIA graphics card ▪ Dual 250GB NVMe M.2 SSD ▪ 32GB 2666Mhz DDR4 RAM |
|--|---|--|

Connectivity

- TPM/TPP compatible for secure environments
- WiFi 802.11 a/b/g/n/ac, Ethernet, Bluetooth 5.0, RFID
- Wireless keyboard with integrated trackpad
- Direct access via USB ports
- Audio output via 1/8" audio jack
- HDMI Output (PC)
- Communication hardware can be removed upon request for secure environments

Customizations

Colors and Finishes



Available in hundreds of RAL color and finish options. (1-2 weeks additional lead time.)

ATA Flight Case



Reusable travel case with locking casters and locking latch clasps.

Chromebox Power



Replaces integrated PC with an AOPEN Chromebox Commercial 2 rated 24/7.

What's Inside

Our touch tables and touch walls include the best performing, most reliable components available.

4K UHD (3840x2160)
commercial LCD display

PCAP touch sensor with
80 touch points*

NVIDIA™ graphics card

10th Gen Intel® Core™
Processor

Aircraft-grade aluminum
made in the USA



**The 43" Pico uses a Displax sensor and supports 40 touch points.*

Software

Ideum uses innovative custom software to tell stories that evoke wonder and spark curiosity about the world around us. Our expertise in a broad range of programming environments allows our work to span the realms of informal and formal education, interactive technology, gaming, art, and entertainment.



Tangible Authoring

Ideum multitouch tables support the Tangible Engine 2.6 object recognition SDK.

Tangible Engine 2 is an authoring environment supporting the use of fiducial object recognition on Ideum multitouch tables. This software allows for unique recognition of objects with 3D printed conductive patterns. Tangible Engine 2 includes test objects, a Visualizer / Configurator Tool, an SDK, and documentation.

Pricing and more information can be found at: tangibleengine.com



Multitouch Authoring

Ideum multitouch products include a free, lifetime license for GestureWorks 2 (upon request).

GestureWorks 2 is a multitouch authoring solution that works with C++ and Unity3D. It has nine basic built-in gestures and supports hundreds more using the extensible Gesture Markup Language. Licenses include ticketed, timely support* and free upgrades for life.

More information can be found at: gestureworks.com



RFID Utility

Ideum multitouch products include an RFID utility for enhanced functionality.

Our new and improved RFID software allows you to automate system tasks, launch and switch applications, and more with a single movement. This useful utility is free for Ideum touch table owners.

Learn more at: ideum.com/news/rfid-reader-app

**Support hours provide dedicated time to troubleshoot any issues that may pertain to our software. Four hours of support are included free. Support hours are valid for the first year of purchase only. Annual support packages can be purchased as needed at an additional price. However, the Pro and Site Licenses are lifetime licenses. Please see our License Agreement for full details: <http://gestureworks.com/legal>*

About Ideum

Ideum is a creative company based in Corrales, New Mexico, USA. We offer exhibit design, AV, and software development services to museums, nonprofits, and socially responsible companies. Please contact us at (505) 792-1110 ext.1 or toll-free in the US and Canada at (855) 898-6824, use our online [inquiry form](#), or email us at sales@ideum.com. We sell our multitouch tables and displays directly both in the United States and internationally.

WARRANTY & SUPPORT

Our products are custom-built with only the highest quality components available and are designed to last. We back all of our hardware with a three-year warranty. The same people who design and build our systems provide our timely support.

Ticketing: support.ideum.com

Email: support@ideum.com

Phone: (505) 792-1110 ext. 2

Support Hours: 8:00 AM – 5:00 PM MST,
Monday through Friday.

The Colossus, Pano, Pro, Platform, Drafting, Pico, Duet, and Inline touch tables and the Portrait and Presenter touch walls from Ideum are designed, manufactured, and made in the USA of U.S. and imported parts.



Compliant with height and reach requirements for the Americans with Disabilities Act standards for accessibility. Learn more about Ideum's commitment to accessibility at www.ideum.com/ada

IMPORTANT NOTICE TO PURCHASER: Specifications are subject to change without notice. Ideum hardware and software are warranted from the ship date to the period stated in the warranty. Please note that under Ideum's warranty, Ideum has no obligation for any hardware product that is modified or damaged through misuse, accident, neglect, or subsequent integration, service, or tampering, by anyone other than Ideum or an Ideum-approved entity or individual. Ideum makes no additional warranties, express or implied, including but not limited to any fitness for a particular purpose. The User is responsible for determining whether Ideum hardware products or software are fit for the User's particular purpose. If the hardware product or software are proven not to have met Ideum's warranty, then Ideum's sole obligation and User's and Purchaser's exclusive remedy, will be, at Ideum's option, to repair or replace the product or refund its purchase price. Ideum shall not be liable in any action against it in any way related to the hardware products or software for any loss or damages, whether non-specified, direct, indirect, special, incidental or consequential (including downtime, loss of profits or goodwill) regardless of the legal theory asserted. Please see our full warranty for complete details.