



Pro 49", 55", 65" Specifications Sheet



PRO ■ Specifications Sheet



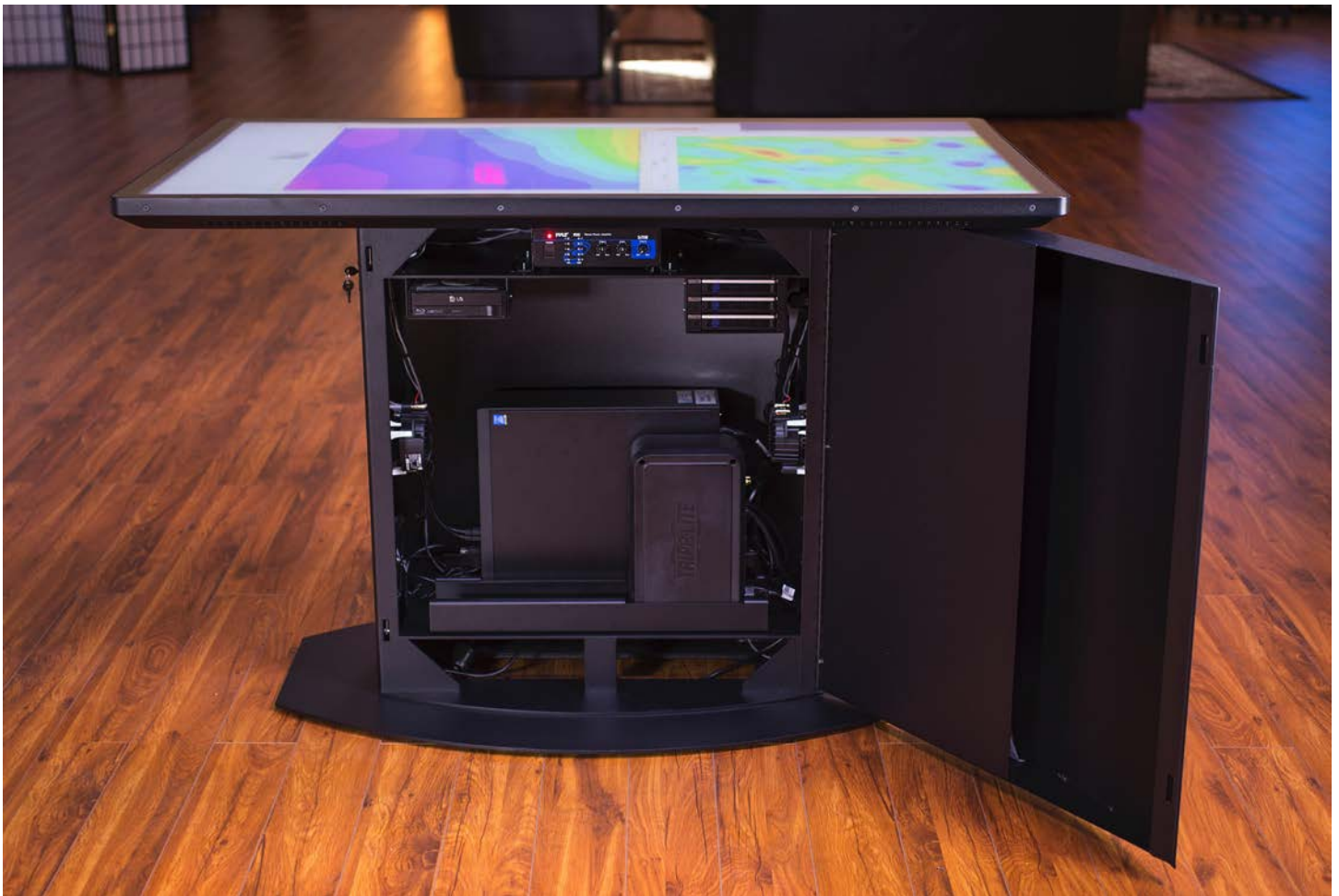
The Pro is Ideum's most powerful and expandable high-performance multitouch table. It is available with 49", 55", and 65" displays. The Pro includes a 4K Ultra HD LG commercial display rated 24/7 and industry-leading touch technology from 3M™ with support for 80 touch points. The Pro is equipped with a powerful integrated Intel™ 10th Gen Core processor, the latest NVIDIA™ discrete graphics card, single push-button power, and it can be upgraded with additional storage.



PRO ■ Specifications Sheet



The Pro comes with a full workstation computer inside the base and can be outfitted with removable drives for up to 24 terabytes of storage. The Pro is crafted from aircraft-grade aluminum and covered with a durable powder coat. Ideum displays use a patented manufacturing method. The Pro is designed and built in the USA and ships as a complete turnkey system with lockable, push-button operation—just plug it in and turn it on. All of Ideum’s hardware is backed by a three-year warranty.



The Pro shown with optional removable storage.

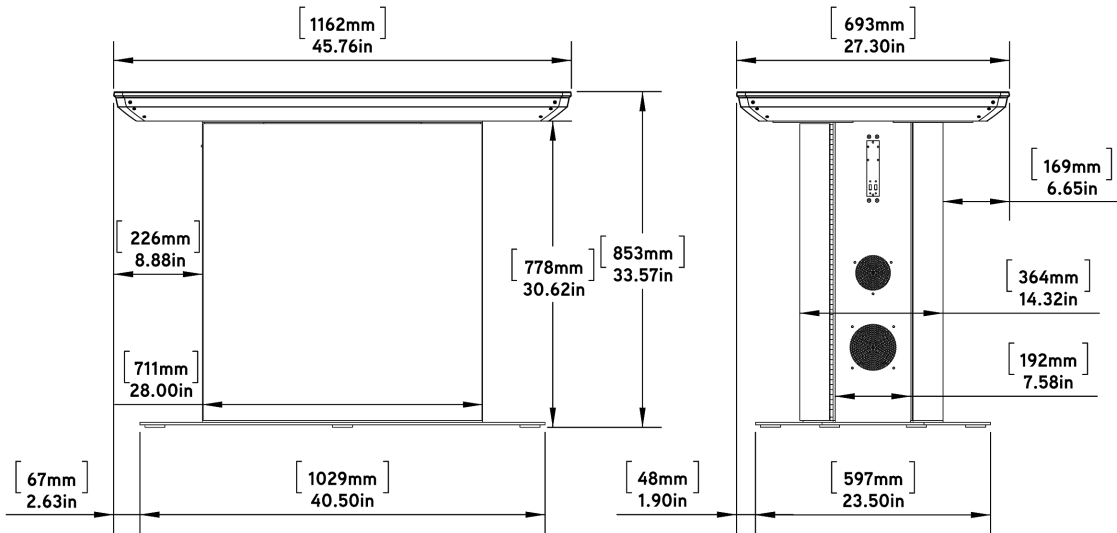
49"

WEIGHT
230 LBS / 104 KG*

SHIP WEIGHT
390 LBS / 177 KG*

W/ TRAVEL CASE
420 LBS / 190 KG*

*Weights may vary slightly.



Interactive Display

- 3M™ projected capacitive touch screen
- 4K UHD (3840x2160) LCD display
- LG Commercial Display rated 24/7
- ±5 ms touch response time
- 80 touch points with palm rejection
- 49" diagonal, strengthened, anti-stiction, 4mm glass surface
- Native contrast ratio 1100:1
- 500 nit (cd/m2) luminance

Integrated System

- Single push-button power
 - Custom lockable enclosure
 - Windows 10
 - Universal 110-240V power system
 - Stereo amplifier with two 90W Yamaha speakers
 - 1000VA Uninterruptible Power Supply (North America Only)
- PRO**
- Intel 10th Gen Core i7-10700 processor
 - RTX 2070 8GB GDDR6 NVIDIA graphics card
 - 32GB 2666MHz DDR4 RAM
 - Dual 250GB NVMe M.2 SSD with upgradable storage options
- PRO LAB**
- Intel X-Series Core i9-7900X Ten Core processor
 - RTX 2080ti 11GB GDDR6 NVIDIA graphics card
 - 64GB 2666MHz DDR4 RAM with upgradable additional RAM
 - Dual 250GB NVMe M.2 SSD with upgradable storage options
 - Full ATX Motherboard with additional PCIe slots for customization options

Connectivity

- TPM/TPP compatible for secure environments
- WiFi 802.11 a/b/g/n/ac, Ethernet, Bluetooth 5.0
- Wireless keyboard with integrated trackpad
- Direct access via USB ports
- RFID Reader
- Communication hardware can be removed upon request for secure environments

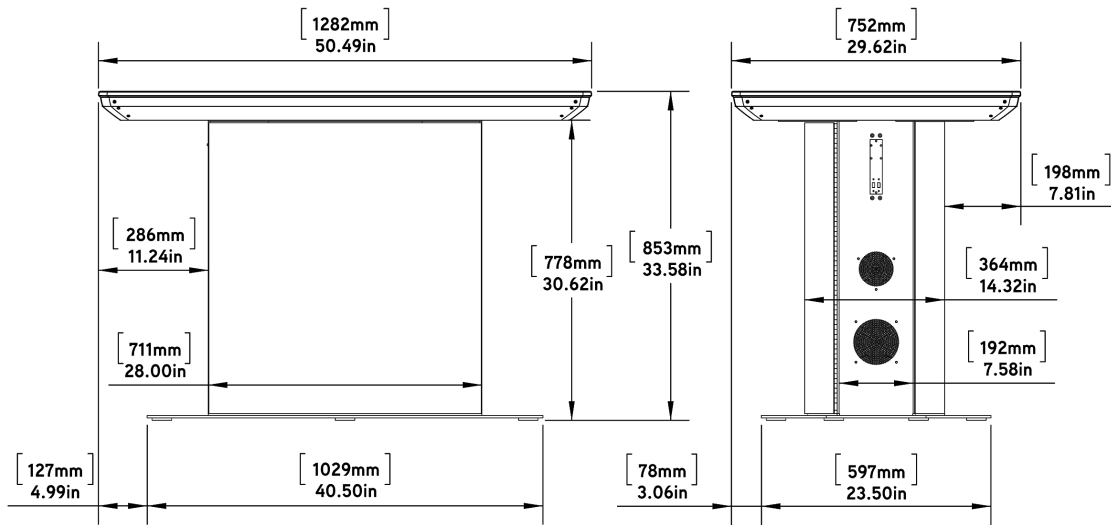
55"

WEIGHT
240 LBS / 109 KG*

SHIP WEIGHT
400 LBS / 181 KG*

W/ TRAVEL CASE
425 LBS / 193 KG*

*Weights may vary slightly.



Interactive Display

- 3M™ projected capacitive touch screen
- 4K UHD (3840x2160) LCD display
- LG Commercial Display rated 24/7
- ±5 ms touch response time
- 80 touch points with palm rejection
- 55" diagonal, strengthened, anti-stiction, 4mm glass surface
- Native contrast ratio 1100:1
- 500 nit (cd/m2) luminance

Integrated System

- | | | |
|---|---|---|
| <ul style="list-style-type: none"> ▪ Single push-button power ▪ Custom lockable enclosure ▪ Windows 10 ▪ Universal 110-240V power system ▪ Stereo amplifier with two 90W Yamaha speakers ▪ 1000VA Uninterruptible Power Supply (North America Only) | <p>PRO</p> <ul style="list-style-type: none"> ▪ Intel 10th Gen Core i7-10700 processor ▪ RTX 2070 8GB GDDR6 NVIDIA graphics card ▪ 32GB 2666MHz DDR4 RAM ▪ Dual 250GB NVMe M.2 SSD with upgradable storage options | <p>PRO LAB</p> <ul style="list-style-type: none"> ▪ Intel X-Series Core i9-7900X Ten Core processor ▪ RTX 2080ti 11GB GDDR6 NVIDIA graphics card ▪ 64GB 2666MHz DDR4 RAM with upgradable additional RAM ▪ Dual 250GB NVMe M.2 SSD with upgradable storage options ▪ Full ATX Motherboard with additional PCIe slots for customization options |
|---|---|---|

Connectivity

- TPM/TPP compatible for secure environments
- WiFi 802.11 a/b/g/n/ac, Ethernet, Bluetooth 5.0
- Wireless keyboard with integrated trackpad
- Direct access via USB ports
- RFID Reader
- Communication hardware can be removed upon request for secure environments

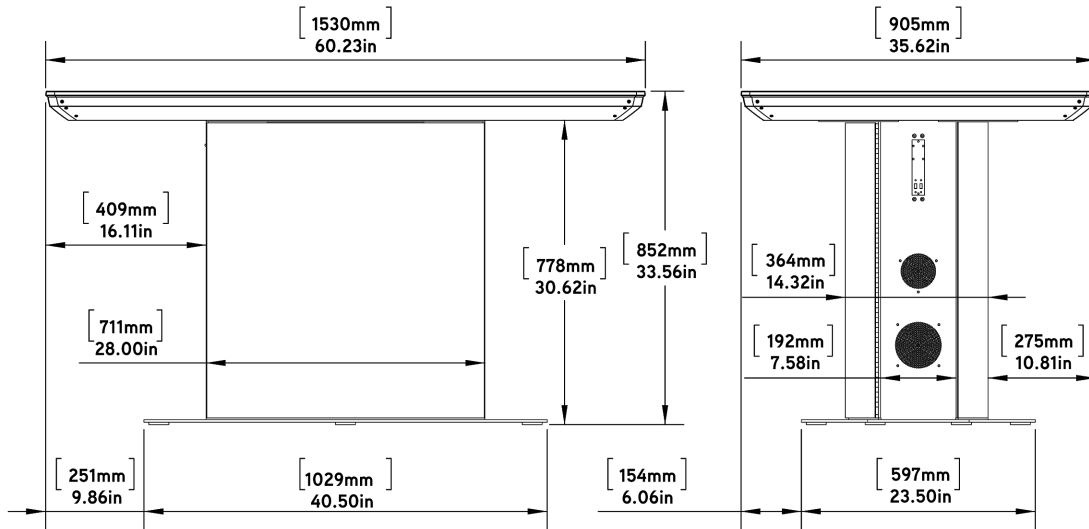
65"

WEIGHT
286 LBS / 130 KG*

SHIP WEIGHT
491 LBS / 223 KG*

W/ TRAVEL CASE
517 LBS / 234 KG*

*Weights may vary slightly.



Interactive Display

- 3M™ projected capacitive touch screen
- 4K UHD (3840x2160) LCD display
- LG Commercial Display rated 24/7
- ±5 ms touch response time
- 80 touch points with palm rejection
- 65" diagonal, strengthened, anti-stiction, 4mm glass surface
- Native contrast ratio 1100:1
- 500 nit (cd/m2) luminance

Integrated System

- | | | |
|---|---|---|
| <ul style="list-style-type: none"> ▪ Single push-button power ▪ Custom lockable enclosure ▪ Windows 10 ▪ Universal 110-240V power system ▪ Stereo amplifier with two 90W Yamaha speakers ▪ 1000VA Uninterruptible Power Supply (North America Only) | <p>PRO</p> <ul style="list-style-type: none"> ▪ Intel 10th Gen Core i7-10700 processor ▪ RTX 2070 8GB GDDR6 NVIDIA graphics card ▪ 32GB 2666MHz DDR4 RAM ▪ Dual 250GB NVMe M.2 SSD with upgradable storage options | <p>PRO LAB</p> <ul style="list-style-type: none"> ▪ Intel X-Series Core i9-7900X Ten Core processor ▪ RTX 2080ti 11GB GDDR6 NVIDIA graphics card ▪ 64GB 2666MHz DDR4 RAM with upgradable additional RAM ▪ Dual 250GB NVMe M.2 SSD with upgradable storage options ▪ Full ATX Motherboard with additional PCIe slots for customization options |
|---|---|---|

Connectivity

- TPM/TPP compatible for secure environments
- WiFi 802.11 a/b/g/n/ac, Ethernet, Bluetooth 5.0
- Wireless keyboard with integrated trackpad
- Direct access via USB ports
- RFID Reader
- Communication hardware can be removed upon request for secure environments

Customizations

Colors and Finishes



Available in hundreds of RAL color and finish options (including banana yellow).

ATA Flight Case



Reusable travel case with locking casters and locking latch clasps.

Clip-on Casters



These sturdy casters make it easy to move the touch table, but they are easily retractable to provide a stable surface when the table is in use.

Software

Ideum uses innovative custom software to tell stories that evoke wonder and spark curiosity about the world around us. Our expertise in a broad range of programming environments allows our work to span the realms of informal and formal education, interactive technology, gaming, art, and entertainment.



Tangible Authoring

Ideum multitouch tables support the Tangible Engine 2.5 object recognition SDK.

Tangible Engine 2 is an authoring environment supporting the use of fiducial object recognition on Ideum multitouch tables. This software allows for the unique recognition of objects with 3D printed conductive patterns. Tangible Engine 2 includes test objects, a Visualizer / Configurator Tool, an SDK, and documentation.

Pricing and more information can be found at: tangibleengine.com



Multitouch Authoring

Ideum multitouch products include a free, lifetime license for GestureWorks 2 (upon request).

GestureWorks 2 is a multitouch authoring solution that works with C++ and Unity3D. It has nine basic built-in gestures and supports hundreds more using the extensible Gesture Markup Language. Licenses include ticketed, timely support* and free upgrades for life.

More information can be found at: gestureworks.com



RFID Utility

Ideum multitouch products include an RFID utility for enhanced functionality.

Our new and improved RFID software allows you to automate system tasks, launch and switch applications, and more with a single movement. This useful utility is free for Ideum touch table owners.

Learn more at: ideum.com/news/rfid-reader-app

**Support hours provide dedicated time to troubleshoot any issues that may pertain to our software. Four hours of support are included free. Support hours are valid for the first year of purchase only. Annual support packages can be purchased as needed at an additional price. However, the Pro and Site Licenses are lifetime licenses. Please see our License Agreement for full details: <http://gestureworks.com/legal>*

About Ideum

Ideum is a creative company based in Corrales, New Mexico, USA. We offer exhibit design, AV, and software development services to museums, nonprofits, and socially responsible companies. Please contact us at (505) 792-1110 ext.1 or toll-free in the US and Canada at (855) 898-6824, use our online [inquiry form](#), or email us at sales@ideum.com. We sell our multitouch tables and displays directly both in the United States and internationally.

WARRANTY & SUPPORT

Our products are custom-built with only the highest quality components available and are designed to last. We back all of our hardware with a three-year warranty. The same people who design and build our systems provide our timely support.

Ticketing: support.ideum.com

Email: support@ideum.com

Phone: (505) 792-1110 ext. 2

Support Hours: 8:00 AM – 5:00 PM MST,
Monday through Friday.

The Colossus, Pano, Pro, Platform, Drafting, Pico, Duet, and Inline touch tables and the Portrait and Presenter touch walls from Ideum are designed, manufactured, and made in the USA of U.S. and imported parts.



Compliant with height and reach requirements for the Americans with Disabilities Act standards for accessibility. Learn more about Ideum's commitment to accessibility at www.ideum.com/ada

IMPORTANT NOTICE TO PURCHASER: Specifications are subject to change without notice. Ideum hardware and software are warranted from the ship date to the period stated in the warranty. Please note that under Ideum's warranty, Ideum has no obligation for any hardware product that is modified or damaged through misuse, accident, neglect, or subsequent integration, service, or tampering, by anyone other than Ideum or an Ideum-approved entity or individual. Ideum makes no additional warranties, express or implied, including but not limited to any fitness for a particular purpose. The User is responsible for determining whether Ideum hardware products or software are fit for the User's particular purpose. If the hardware product or software are proven not to have met Ideum's warranty, then Ideum's sole obligation and User's and Purchaser's exclusive remedy, will be, at Ideum's option, to repair or replace the product or refund its purchase price. Ideum shall not be liable in any action against it in any way related to the hardware products or software for any loss or damages, whether non-specified, direct, indirect, special, incidental or consequential (including downtime, loss of profits or goodwill) regardless of the legal theory asserted. Please see our full warranty for complete details.