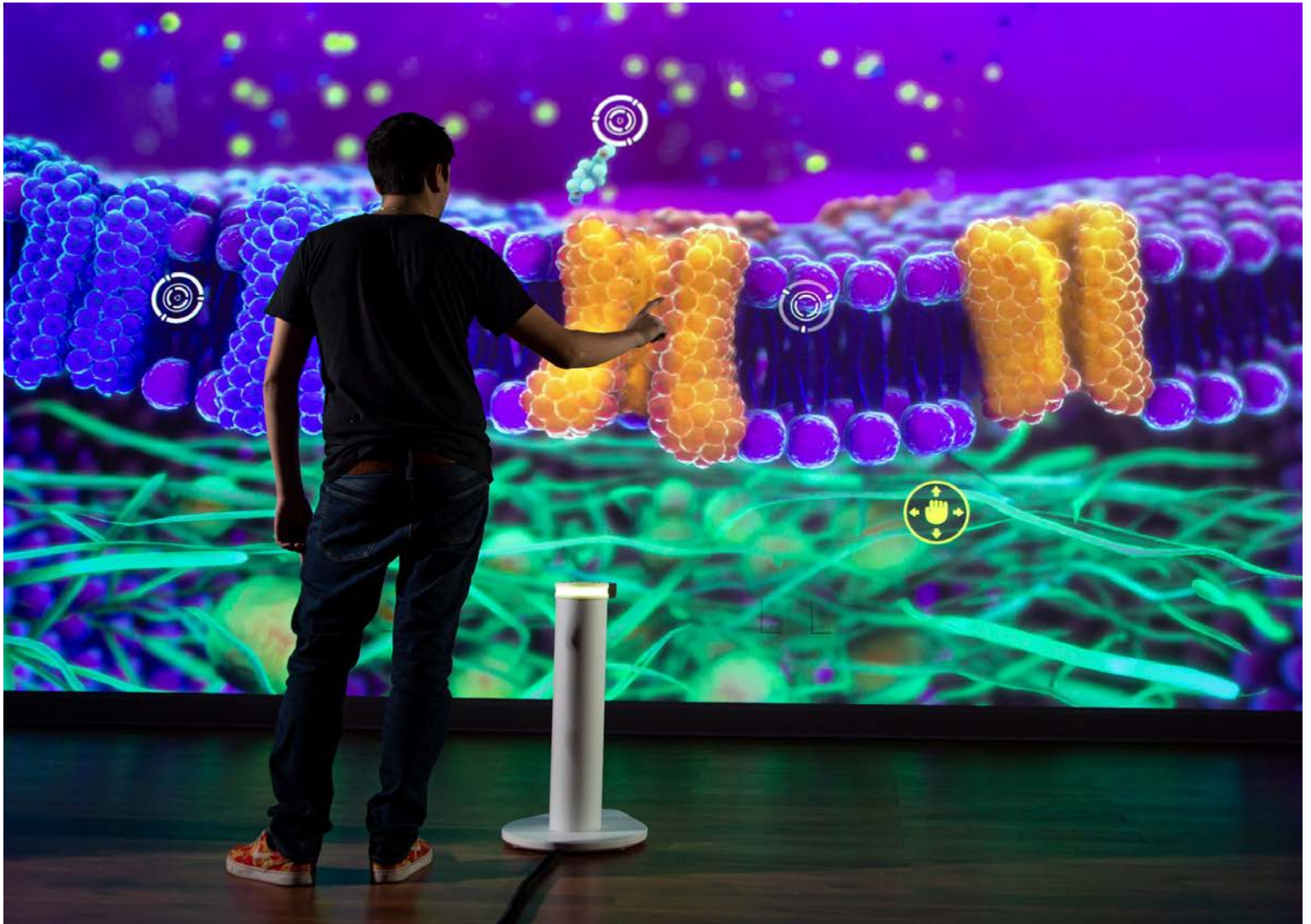


# Touchless Pedestal

## Specifications Sheet

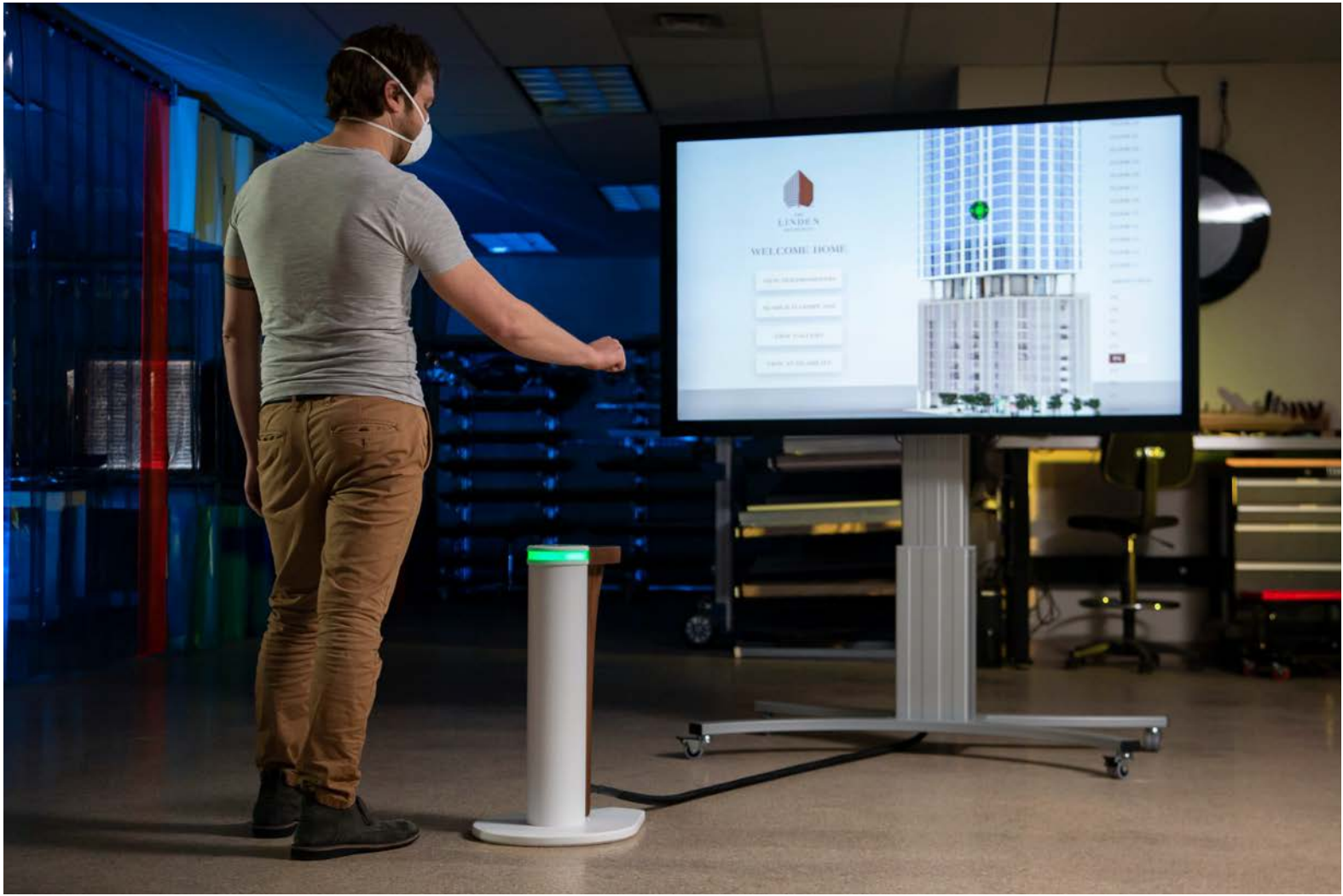


The Touchless Pedestal II is a revolutionary device designed to make zero-touch interaction more intuitive for users. The newest version has an Intel® NUC Compute Elements i3 with 4GB RAM, built-in UltraLeap Leap Motion controller, and an integrated 3.4" LCD display and controllable LED lights to provide additional onboarding and real-time feedback to users as they interact.

The Intel® NUC Compute Elements i3 has an Intel® Core™ 8th Generation i3-8145U Processor with integrated graphics. It also has an integrated ethernet connection, USB, wireless, and Bluetooth 5.0. The onboard computer comes with Windows 10 Pro 64-bit OS.

The Touchless Pedestal has a locking power button, and its central cylinder is aluminum, while the durable top and base are crafted from Staron solid-surface material. The integrated display housing is carved walnut hardwood, making the final design both rugged and elegant. All of the design, manufacturing, and assembly is done at Ideum's studios. Like all of our hardware products, we provide a three-year warranty, and the same people involved in manufacturing provide support.





The Touchless Design SDK is available for developers to ease creation of touchless applications. This open-source software package allows for mouse emulation and cursor icons and animations. The SDK also controls the LED lights and messaging on the small embedded display. Touchless Design software 2.0 (available in November 2020) uses the UDP protocol which allows the pedestal to act as a remote device on a network. The Touchless Pedestal II can be connected via the Ethernet port on the bottom of the device, or it can work via wireless (dependent on a robust wireless connection).

A variety of new and existing applications and installations can benefit from this unique touchless device. Large projection environments, LED tile walls, mounted wall displays, and video wall installations can all be controlled via the Touchless Pedestal.

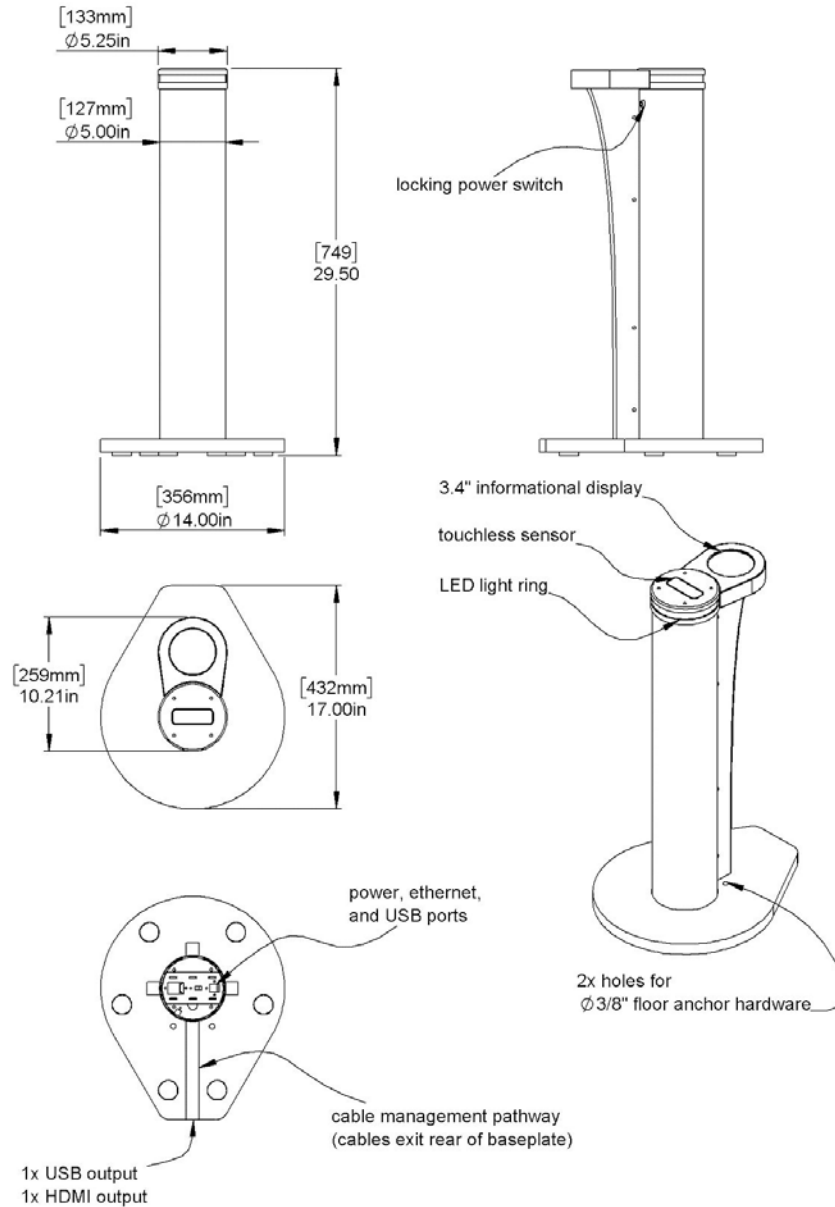
# TOUCHLESS PEDESTAL ■ Specifications Sheet

**WEIGHT**  
21 LBS / 10 KG\*

**SHIP WEIGHT**  
61 LBS / 28 KG\*

**W/ TRAVEL CASE**  
76 LBS / 34 KG\*

\*Weights may vary slightly.



## Construction and Components

- Intel® NUC Compute Elements i3 4GB RAM
- 3.4" TFT LCD display 800 x 800 resolution
- LED lights and controller
- Aluminum powder-coated central tube
- Top and base made of Staron material
- Locking power button
- Finished walnut monitor housing
- (2) Anchor holes for 3/8" hardware

## Connectivity

- Leap Motion - optical hand tracking module
- Ethernet (bottom of device)
- Bluetooth 5.0.
- Intel® Wireless-AC 9560
- (1) USB input (bottom of device)

# Software

Ideum uses innovative custom software to tell stories that evoke wonder and spark curiosity about the world around us. Our expertise in a broad range of programming environments allows our work to span the realms of informal and formal education, interactive technology, gaming, art, and entertainment. We also develop software tools focusing on gestural and tangible interaction for other development teams and design firms.



**Touchless.Design SDK  
Compatible**

Touchless.Design is an open-source project created by Ideum to aid in the creation of safe, touchless interactive exhibits. Version 2.0 of the software, which will support the Touchless Pedestal II, will be available in November 2020. Touchless.Design software is freely available to museums, libraries, cultural organizations, and other public institutions. Commercial entities can also use the software for free with some restrictions. (Please see the software license on the Touchless.Design website to learn more.)

More information can be found at: <https://touchless.design>.

## Touchless Authoring

## About Ideum

Ideum is a creative company based in Corrales, New Mexico, USA. We offer exhibit design, AV, and software development services to museums, nonprofits, and socially responsible companies. Please contact us at (505) 792-1110 ext.1 or toll-free in the US and Canada at (855) 898-6824, use our online [inquiry form](#), or email us at [sales@ideum.com](mailto:sales@ideum.com). We sell our multitouch tables and displays directly both in the United States and internationally.

### WARRANTY & SUPPORT

Our products are custom-built with only the highest quality components available and are designed to last. We back all of our hardware with a three-year warranty. The same people who design and build our systems provide our timely support.

Ticketing: [support.ideum.com](https://support.ideum.com)

Email: [support@ideum.com](mailto:support@ideum.com)

Phone: (505) 792-1110 ext. 2

Support Hours: 8:00 AM – 5:00 PM MST,  
Monday through Friday.

The Colossus, Pano, Pedestal, Pro, Platform, Drafting, Pico, Duet, and Inline touch tables and the Portrait and Presenter touch walls from Ideum are designed, manufactured, and made in the USA of U.S. and imported parts.



Compliant with height and reach requirements for the Americans with Disabilities Act standards for accessibility. Learn more about Ideum's commitment to accessibility at [www.ideum.com/ada](https://www.ideum.com/ada)

*IMPORTANT NOTICE TO PURCHASER: Specifications are subject to change without notice. Ideum hardware and software are warrantied from the ship date to the period stated in the warranty. Please note that under Ideum's warranty, Ideum has no obligation for any hardware product that is modified or damaged through misuse, accident, neglect, or subsequent integration, service, or tampering, by anyone other than Ideum or an Ideum-approved entity or individual. Ideum makes no additional warranties, express or implied, including but not limited to any fitness for a particular purpose. The User is responsible for determining whether Ideum hardware products or software are fit for the User's particular purpose. If the hardware product or software are proven not to have met Ideum's warranty, then Ideum's sole obligation and User's and Purchaser's exclusive remedy, will be, at Ideum's option, to repair or replace the product or refund its purchase price. Ideum shall not be liable in any action against it in any way related to the hardware products or software for any loss or damages, whether non-specified, direct, indirect, special, incidental or consequential (including downtime, loss of profits or goodwill) regardless of the legal theory asserted. Please see our full warranty for complete details.*